



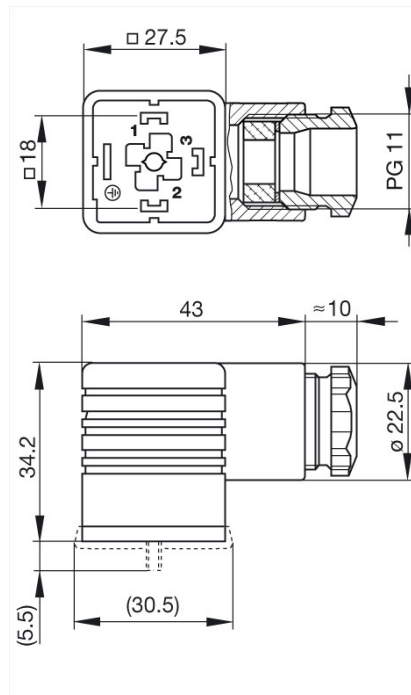
## GDM 2011 J grau/grey

Industrial Connectors:Rectangular connectors GDM-series:Type AEN 175301-803 (DIN 43650) / ISO 4400:Cable socket, self-assembly

### Product description

Description	cable socket with central screw M 3 x 35
Type	GDM 2011 J grau/grey
Order No.	932 106-106
Other standard types	black housing, Order no. 932 106-100
Number of contacts	2 + PE
Cable gland	PG 11
Conductor size	max. 1.5 mm <sup>2</sup>
Standard	DIN EN 175 301-803-A
Housing Color	grau
Construction type	A

### Drawing



### Technical data

Pin dimensions	6.3 mm x 0.8 mm, 4.8 mm x 0.8 mm
Rated voltage	AC/DC 250 V
Rated current	16 A
Contact resistance	≤ 4 mOhm
Type of termination	screw / cable shoe / cable eye
Suitable cables	6 mm to 9 mm diameter

Mounting	central nut
<b>Material</b>	
Contact surface material	Sn
Contact bearer material	PA
Housing material	PA
<b>Environmental conditions</b>	
Protection class (IEC 60529)	IP 65 (gasket necessary)
Pollution severity	3
Temperature range	-40 °C to +125 °C
<b>Inflammability class</b>	
Housing	94 HB
Contact bearer	94 V0
<b>Approvals</b>	
UR	UR
VDE	VDE
SEV	SEV
CSA	CSA
<b>Packing unit</b>	
Packaging unit	200 pieces
<b>Scope of delivery and accessories</b>	
Accessories to order separately	(NBR) flat gasket GDM 3-7, Order no. 730 801-002; (EPDM) flat gasket GDM 3-21, Order no. 731 739-004; profiled gasket GDM 3-16, Order no. 731 531-002; knurled screw GDM 3011-8, Order no. 732 574-001; stainless steel screw GDM 3011 RF-1, Order no. 734 363-001